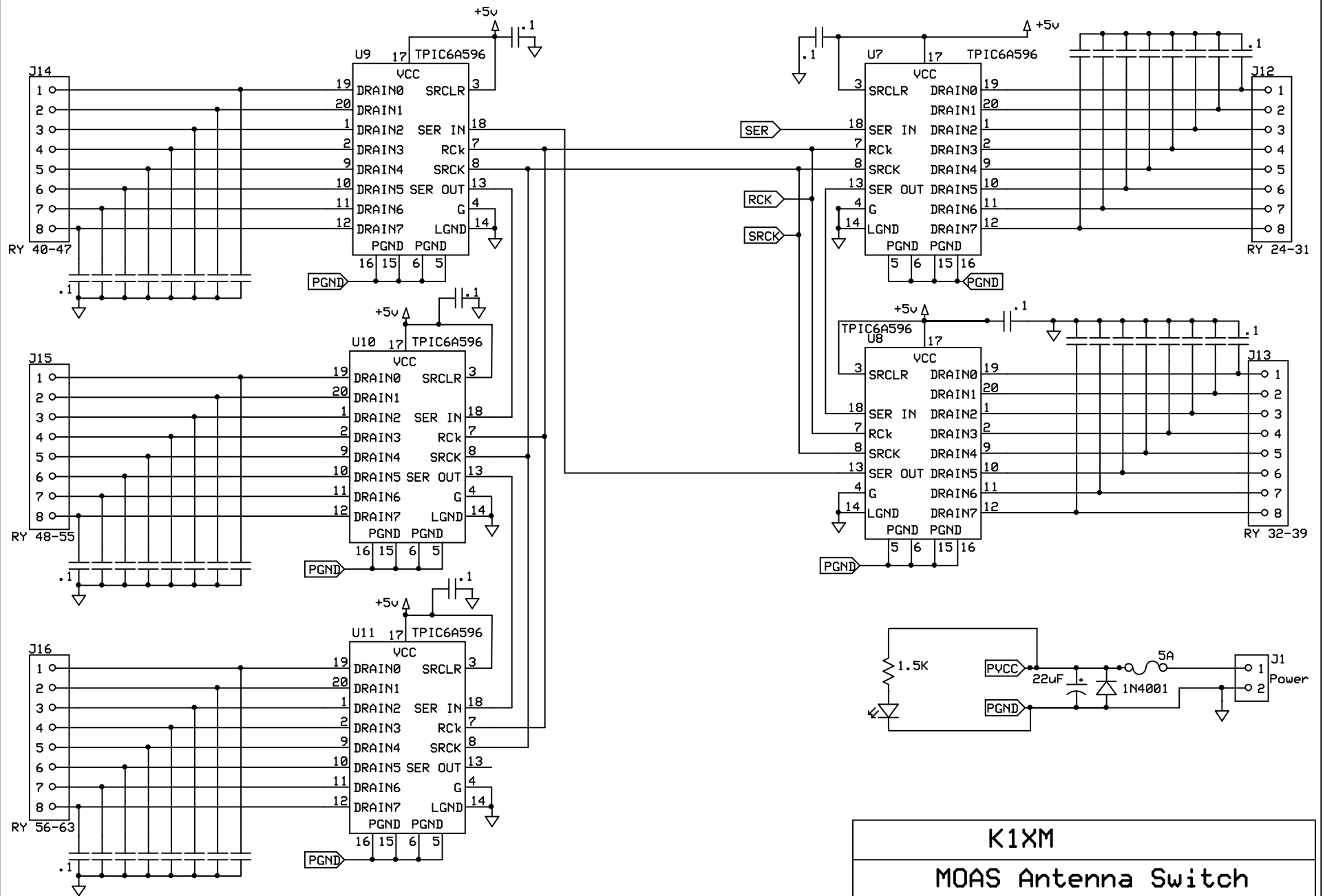


J9-J16 - Pins 14-21 PGND, Pins 22-25 PVCC

K1XM		
MOAS Antenna Switch		
Paul Young	Rev 1.1	1 of 2
	5/18/2005	



K1XM		
MOAS Antenna Switch		
Paul Young	Rev 1.1	2 of 2
	5/18/2005	